



◀ - 1U ventilation fan tray

◀ **TW-2208**
19" MOUNTING WALL MOUNT RACK

- Suitable for networking
- Removable of side panels (allow access for cable at the rear)
- Optional for ventilation fan and 2U equipment tray
- Finished in 2-tone grey epoxy powder paint
- Lockable front Perspex Door
- Available from 6U through 15U
- Complete Knock Down System (CKD)
- Standard accessories including - 13AMP 3 Gang Power Point Socket, PMM Mounting Member and M6 x 12mm caged nuts with screws

▼ **TW-2209**
19" MOUNTING WALL MOUNT

- Suitable for simple networking and place saving
- Finished in standard white epoxy powder paint
- Lockable Perspex Door
- Available in 3U and 4U



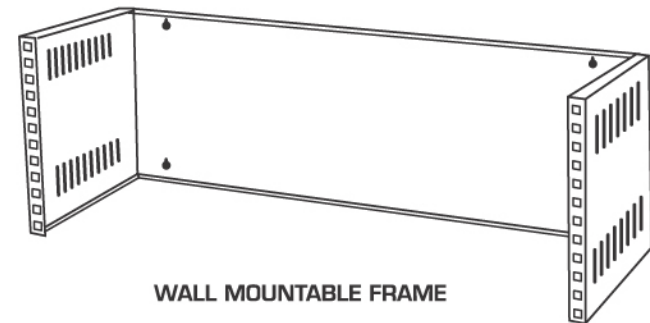
▲ **TW-2210**
WALL MOUNTABLE FRAMES

- Suitable for patching
- Simple design and economy
- Finished in standard black epoxy powder paint
- Available from 3U through 12U

Wall-Mount Rack

19" WALL MOUNT RACK

Width (mm)	1U 44.45mm Height U	Overall H (mm)	Usable H (mm)	Nos of 13AMP Socket Point	Weight (KG)	
					Depth 390mm	Depth 500mm
600	6	356	267	3	14	18
600	9	489	400	3	19	24
600	12	622	533	3	24	31
600	15	756	667	3	29	38
SPECIAL 600	3	154	134	3		8



WALL MOUNTABLE FRAME